

REV	DOCUMENT	CHANGED BY	CHECK
8	0032662	DDN 31JUL07	CMH

SERIES ——— **CPC**

DESIGNATES PRESSURE

L - LOW PRESSURE (IN H₂O)
 - NO DESIGNATION (PSI)

PRESSURE RANGE

04, 10 IN H₂O
0.3, 01, 05, 15, 30 PSI

ACCURACY GRADE

C - COMMERCIAL GRADE
H - HIGH GRADE

PORT OPTION

F - AXIAL
 - MODULAR

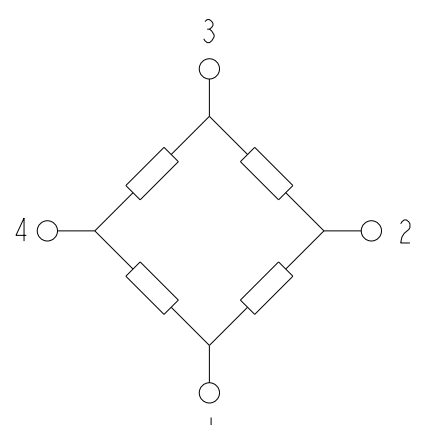
PRESSURE REFERENCE

D - DIFFERENTIAL

CATALOG LISTINGS
CPCL04DFC
CPCL10DFC
CPC0.3DFC
CPC01DFC
CPC05DFC
CPC15DFC
CPC30DFC
CPCL04DC
CPC0.3DFH
⑦
CPC150DFC
CPC01DFH
CPC60DFC

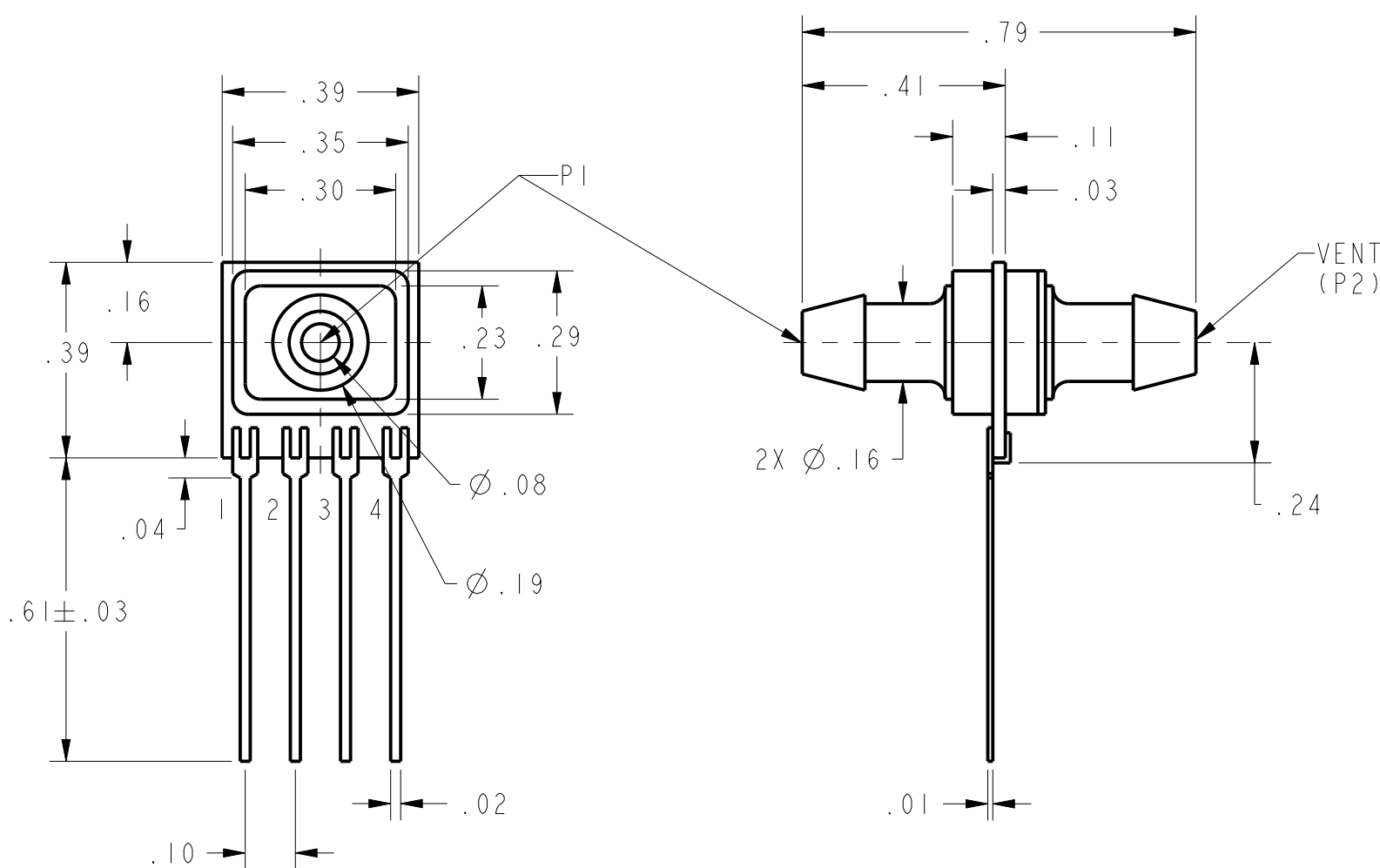
D - STYLE (DIFF)	PERFORMANCE AT 25°C AND 12±0.01 Vdc (UNLESS OTHERWISE STATED)						UNITS	FULL SCALE PRESSURE PSI	OVER PRESSURE PSI
	C-GRADE			H-GRADE					
	MIN	NOM	MAX	MIN	NOM	MAX			
NULL OFFSET (0 PSIG) (L04 LISTING)	-2	0	2	N/A	N/A	N/A	mV		
NULL OFFSET (0 PSIG), ALL LISTINGS EXCEPT L04	-1	0	1	-0.5	0	0.5	mV		
4 IN H ₂ O (P1>P2) (L04 LISTING)	23	25	27	N/A	N/A	N/A	mVdc	4 IN H ₂ O	3
4 IN H ₂ O (P1>P2) (SCDA121 CPCL04GFC)	23	25	27	N/A	N/A	N/A	mVdc	4 IN H ₂ O	5
10 IN H ₂ O (P1>P2) (L10 LISTING)	19	20	21	19.5	20	20.5	mVdc	10 IN H ₂ O	5
0.3 PSI SPAN (P1>P2)	19	20	21	19.5	20	20.5	mVdc	0.3	5
1 PSI SPAN (P1>P2)	17	18	19	17.8	18	18.2	mVdc	1	5
5 PSI SPAN (P1>P2)	57	60	63	59	60	61	mVdc	5	15
15 PSI SPAN (P1>P2)	85	90	95	89	90	91	mVdc	15	45
30 PSI SPAN (P1>P2)	85	90	95	89	90	91	mVdc	30	90
60 PSI SPAN (P1>P2)	85	90	95	89	90	91	mVdc	60	180
100 PSI SPAN (P1>P2)	95	100	105	99	100	101	mVdc	100	250
150 PSI SPAN (P1>P2)	85	90	95	89	90	91	mVdc	150	250
NULL SHIFT OVER TEMPERATURE (0-25, 25-70 °C) ² / ₁₀	---	---	±1	---	---	±.5	mV		
SPAN SHIFT OVER TEMPERATURE (0-25, 25-70 °C) ² / ₁₀	---	---	±2	---	---	±.1	% SPAN		
COMBINED LINEARITY AND HYSTERESIS ³ / ₁	---	0.25	1	---	0.25	0.5	% SPAN		

GENERAL OPERATING CHARACTERISTICS	ALL PRESSURES			UNITS
	MIN	NOM	MAX	
EXCITATION VOLTAGE	3	12	16	Vdc
SUPPLY CURRENT	---	---	3.5	mA
INPUT RESISTANCE	5	---	---	K-OHMS
OUTPUT RESISTANCE	---	3	---	K-OHMS
OPERATING TEMPERATURE	-25	---	85	°C
STORAGE TEMPERATURE	-40	---	125	°C

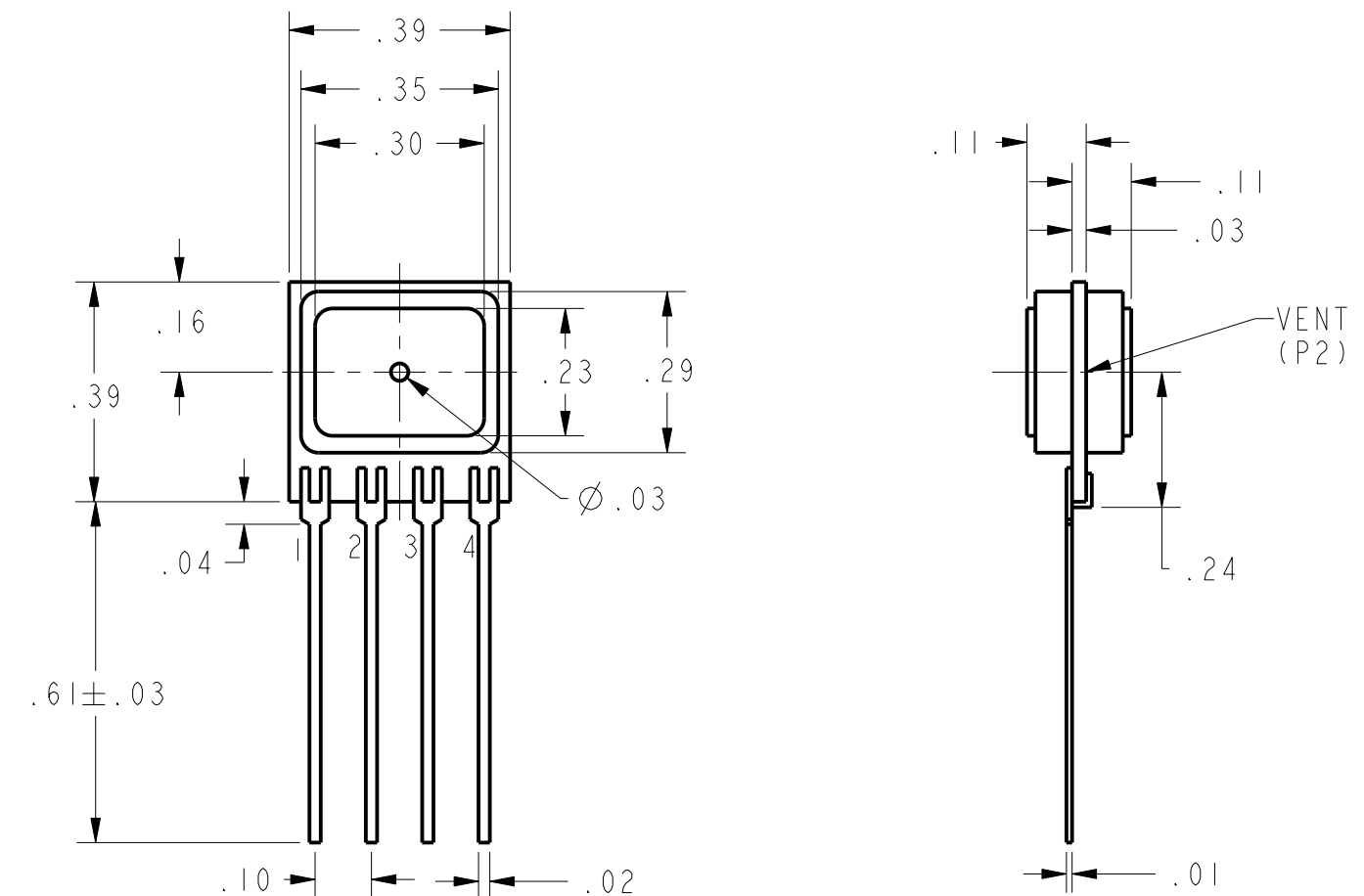


EQUIVALENT CIRCUIT

PIN OUT	
1	-V EXCITATION
2	+ OUTPUT SIGNAL
3	+ V EXCITATION
4	- OUTPUT SIGNAL



DF HOUSING



D HOUSING

- NOTES
- SPAN IS THE ALGEBRAIC DIFFERENCE BETWEEN THE OUTPUT AT FULL SCALE PRESSURE AND THE OFFSET OUTPUT
 - TEMPERATURE ERROR IS CALCULATED WITH RESPECT TO 25°C
 - LINEARITY IS MEASURED AT 1/2 FULL SCALE PRESSURE USING BEST STRAIGHT LINE FIT
 - THE OUTPUT OF THE SENSOR IS PROPORTIONAL, RATIO-METRIC, TO THE EXCITATION VOLTAGE. THE EXCITATION MAY VARY BETWEEN 3 TO 16 Vdc. ALL SPECIFICATIONS WILL NOMINALLY BE CHANGED BY THE RATIO OF V_{EXCITATION}/12.0 Vdc
 - LIMIT SOLDERING TO 315°C FOR LESS THAN 10 SECONDS
 - PIN 1 IS IDENTIFIED BY THE DOT ON THE HOUSING AS SHOWN ON THE VARIOUS DRAWINGS
 - APPLY PRESSURE TO PORT INDICATED ON THE DRAWINGS SHOWN
 - SENSORS ARE OPERATIONAL OVER VACUUM PRESSURE RANGE
 - INPUT MEDIA RESTRICTED TO DRY GASES ONLY
 - THE L04 LISTING HAS A TEMPERATURE SHIFT RANGE FROM 0 TO 25°C AND 25 TO 50°C

UNLESS OTHERWISE SPECIFIED TOLERANCES ARE:	<input checked="" type="checkbox"/> US (inch) CUSTOMARY	<input type="checkbox"/> SI (mm) METRIC	DRAWN	TSM	6FEB03	Honeywell
NO PLACE	X	±.040 ±1	CHECK	CMH	6FEB03	
ONE PLACE	.X	±.030 ±0.4	THIS DRAWING COVERS A PROPRIETARY ITEM AND IS THE PROPERTY OF HONEYWELL. THIS DRAWING IS NOT TO BE COPIED OR USED WITHOUT THE PERMISSION OF HONEYWELL.			TITLE
TWO PLACE	.XX	±.015 ±0.15	DIMENSIONS ARE TO BE MET BEFORE PROTECTIVE COATINGS ARE APPLIED			SIZE DWG TYPE DRAWING NAME
THREE PLACE	.XXX	±.005 ±	3D PTC ASME Y14.5M-1994			CPC DIFF SERIES CHART 1
ANGLES	±	±	SCALE 3:1 WEIGHT SHEET 1 OF 1			REV 8
RAW MATERIAL-COMMERCIAL STANDARD						
THIRD ANGLE PROJECTION						